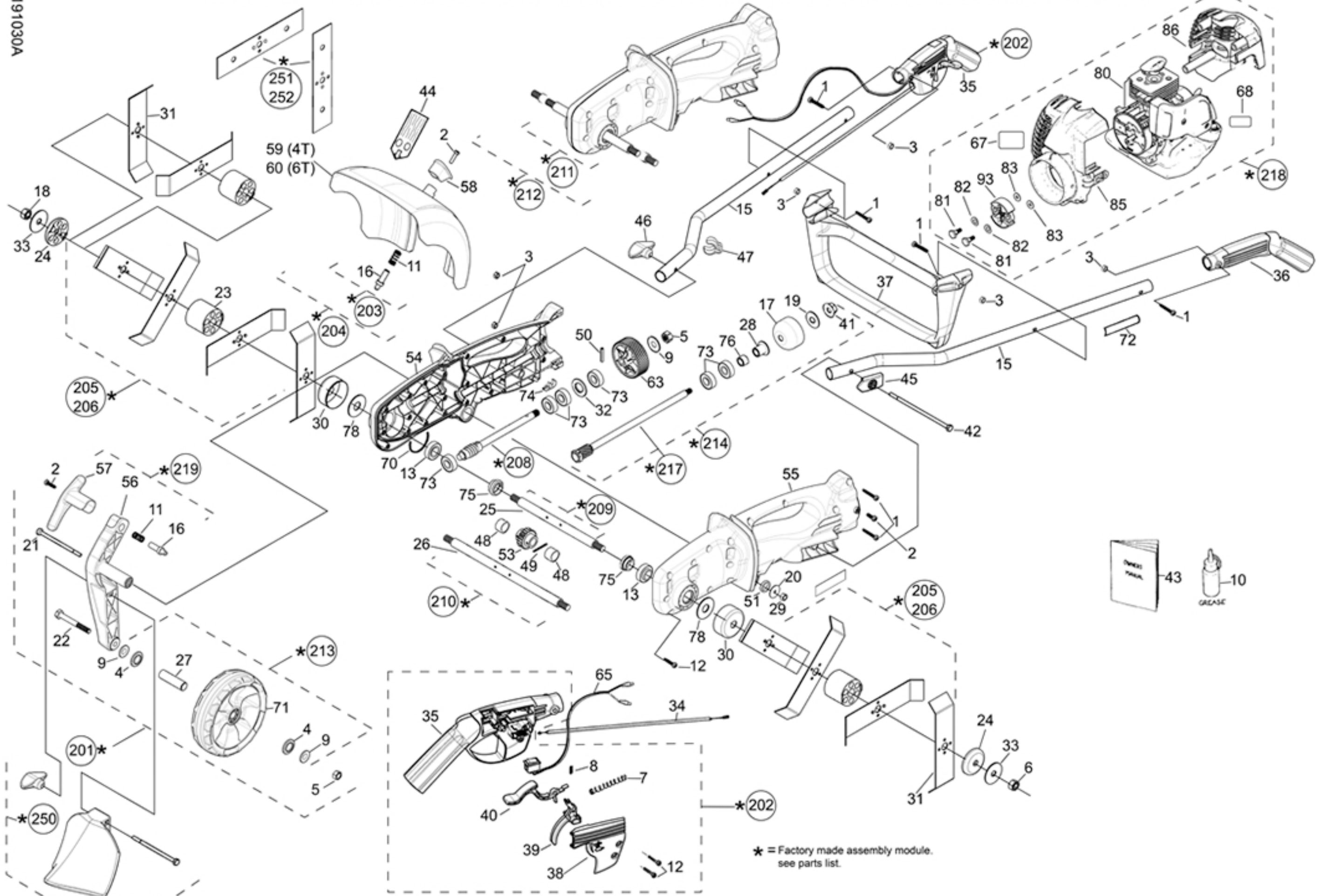


758 TILLER WITH ATOM 26HPE 2-STROKE COMMERCIAL ENGINE

191030A



* = Factory made assembly module. see parts list.

ATOM MODEL: 758 TILLER with 26HPE engine

PART NO: 21758

Key	Part No	Substitute Part No	Description	Key	Part No	Substitute Part No	Description	Key	Part No	Substitute Part No	Description
1	40650		SCREW M5 x 36mm TORX-25	35	63017BS		HANDLE RH DOMESTIC	74	63533WE		HOOK EDGER CABLE BODY
2	40651		SCREW M6 x 16mm TORX	36	63019BS		HANDLE LH DOMESTIC	75	63771		SPACER GREASE SAVER TILLER
3	40652		NUT NYLOC 5mm	37	63020WE		HANDLE CROSS BRACE	76	63772		SPACER MAIN SHAFT TILLER
4	42111		WHEEL SEAL 27.2 x 12.6	38	63021BP		COVER RH HANDLE	77	63867		NUT 3/8" HOLDING
5	43172		NUT NYLOC 3/8" UNC	39	63022WN	63883S	SET TRIGGER & INTERLOCK	78	63868		WASHER 25x17x 2
6	43173		NUT M12 x 1.75 RH	40	63023WN	63883S	SET TRIGGER & INTERLOCK	80	65196		ENG ATOM 26HPE w/o COVERS
7	43198		TRIGGER COMP SPRING	41	63032	43163	NUT FLANGE 3/8 UNC	81	63553		BOLT CLUTCH
8	43199		SPRING SMALL	42	63049		BOLT HEX 6.5 x 1/4 BSW	82	63554		CLUTCH WASHER WAVY
9	43218		WASHER FLAT 3/8"	43	21775		MANUAL ALL MODELS	83	63556		WASHER CLUTCH FLAT
10	43227		GREASE & DISPENSER	44	63065		LABEL WARN TILLER GUARD	84	63553		BOLT CLUTCH
11	43452		HT ADJ ARM COMP SPRING	45	63187BN		CAPTIVE PLATE 1/4"HEX PIECE	85	63393RN		FRONT COVER RED
12	43790		SCREW 5.5MM FOR PLASTIC	46	63488A		ASSY HANDLE KNOB W/NUT	86	63394RN		BACK COVER RED
13	43868		BEARING 6003-2RS 4mm	47	63217BN		CLIP - HANDLE CABLE & WIRE	93	63555A		CLUTCH 52mm OD
14	44006		NUT 1/4 UNC	48	63261		SPACER TILLER GEAR	201	63871A		ASSY ARM+WHEEL
15	44060		UNIVERSAL HANDLE TUBE	49	63269		PIN ROLL 6 x 30	202	63433AR		ASSY RH HANDLE
16	62723		HEIGHT ADJ ARM PIN	50	63275		PIN ROLL 5 x 30	203	63872AWE		ASSY COVER 250mm
17	44318		DRUM CLUTCH CUP 54mm	51	63224		O-RING 20 x 2mm	204	63873AWE		ASSY COVER 350mm
18	45112		NUT M12 x 1.75 LH	53	63368		GEAR 10:1 WORM DRIVE				
19	63277		WASHER CLUTCH	54	63912WN		SET LH+RH TILLER GREY				
20	62795		WASHER 30 X 1.6 X 1/4 HOLE	56	63376WP		ARM WHEEL TILLER				
21	62843		HEX BOLT 3.5 X 1/4 BSW	57	63377WP		HEIGHT ADJ HANDLE ARM				
22	62844		HEX BOLT 3 X 3/8" BSW	58	63378WP		KNOB COVER TILLER				
23	62851WP		TINE SPACER LARGE 45.5MM	59	63380WE	63872WE	COVER TINE 250mm				
24	62852WP		TINE SPACER SMALL 10MM	60	63381WE	63873WE	COVER TINE 350mm				
25	62891		SHAFT TINE 250MM	61	63384		GEAR SEAL TILLER				
26	62892		SHAFT TINE 350MM	62	63781		GEAR SPUR 12 T				
27	62903		SPACER WHEEL 41.5MM	63	63780		GEAR SPUR 48T				
28	62912		FLANGE HUB	64	63387	63411A	ASSY TILLER WORM & SHAFT				
29	62919		NUT NYLOC 1/4" UNC	65	63400		ROCKER SWITCH & WIRE				
30	62921		DRUM TINE 17mm	69	63410		ASSY TILL WORM&SHAFT				
31	62948		TINE TILLER	70	63439		SEAL U GEAR BOX TILLER				
32	62982		BEARING WASHER 32x18x1.6	71	63445BP	64967BP	WHEEL BLACK				

FOR INFORMATION ON model 958 engine, see ref 773 under 'Petrol Engines, Parts and Drawings.'
This engine is an ATOM 26HPE High Performance