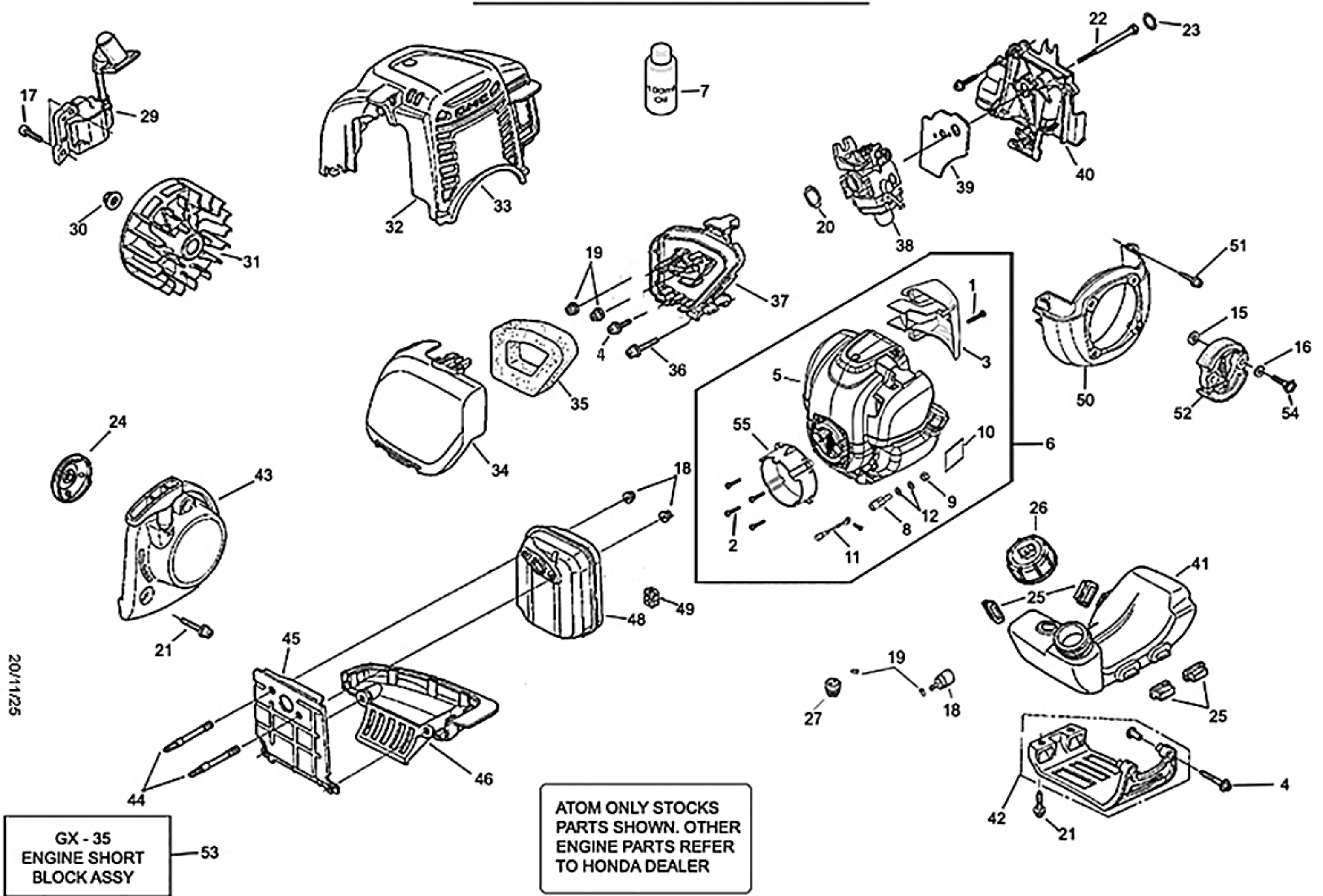


HONDA 4-STROKE GX35 REF No.765



20/11/25

ATOM PRODUCT: HONDA 4 STROKE GX35 ENGINE

REF NO: 765

Key	Part No	Substitute Part No	NLA *	Description	Order Part	Key	Part No	Substitute Part No	NLA *	Description	Order Part
1	40650			SCREW M5x36mm TORX		31	64297			GX35 FLYWHEEL	
2	40651			SCREW M6x16 TORX		32	64298		X	GX35 CYL COV W/ 15mm SIDE HOLE	
3	43965RN			DEFL HONDA AIR GX35		33	64299			GX35 CYL COVER RECT,SIDE HOLE	
4	46130			BOLT 5x30		34	64300			GX35 COVER AIR CLEANER	
5	48002			GX35 ENGINE FROM HONDA		35	64301			GX35 AIR FILTER ELEMENT	
6	48002A			GX35 ENGINE ASSY		36	64302			GX35 BOLT SOCKET 5x25	
7	48100			OIL100ml (Hon GX-31&GX35)		37	64303			GX35 AIR FILTER BASE	
8	62968			CABLE CONNECTOR M6x1.0		38	64304			GX35 CARBURETTOR	
9	63169			NUT M6 x 1		39	64305			GX35 GASKET	
10	63219			LABEL HOT MOTOR/OIL CLEAN		40	64306			GX35 SHROUD MANIFOLD	
11	63355			GROUND WIRE		41	64307			GX35 FUEL TANK	
12	63457			WASHER 6.4x12.5x1.5ZP		42	64310			GX35 TANK GUARD	
13	63614			FUEL FILTER		43	64312			GX35 RECOIL STR ASSY	
14	63615			CLIP - HOSE - STEEL		44	64315			STUD MUFF 2.5x45.5	
15	64076			TLE33/48 WASHER FLAT 10mm		45	64316			GX35 GUIDE AIR (METAL)	
16	64077			TLE33/48 WASHER WAVY 8mm		46	64317			GX35 GUIDE AIR PLASTIC	
17	64254			GX25/35 BOLT M4x14		47	64319		X	GX35(NLA) MUFFLER(EARLY MODEL)	
18	64255			GX25/35 NUT EXH M5		48	64320			GX35 MUFFLER ASSY	
19	64259			GX25/35 CARBY NUT M5		49	43965RN			GX35 AIR DEFLECTOR	
20	64265			GX25/35 CARB O RING 14.8x2.4		50	64322			GX35 COVER FAN	
21	64268			GX25/35 BOLT SOCKET M5x16		51	64323			GX35 SOCKET BOLT M5x20	
22	64270			GX25/35 HEX BOLT M5x53		52	64326			GX35-GX31 CLUTCH ASSY	
23	64373			GX25/35 O RING 12.37x2.62 MANI		53	64327			GX35 ENG SHORT BLOCK	
24	64273			GX25/35 STARTER PAWL CATCHER		54	64905			BOLT CLUTCH M8x10mm	
25	64274			GX25/35 TANK MOUNT RUBBER		55	63361RN			MOUNT ENGINE PRO	
26	64278			GX25/35 FUEL CAP ASSY							
27	64290			GX25/GX35 FUEL TANK GROMMET							
28	64282			GX25/35 BOLT SOCKET M5x10							
29	64295			GX35 COIL ASSY							
30	64296			GX35 NUT FLANGE 8mm							