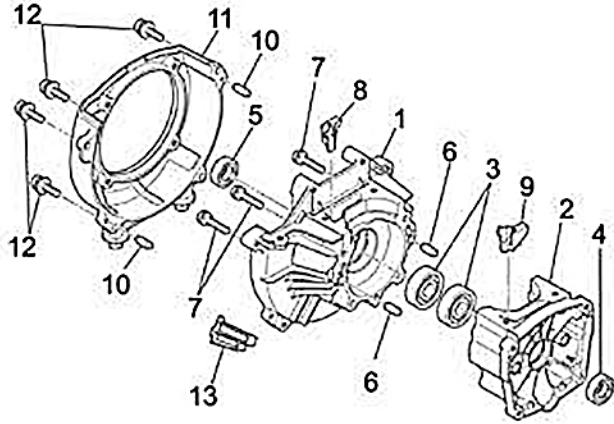
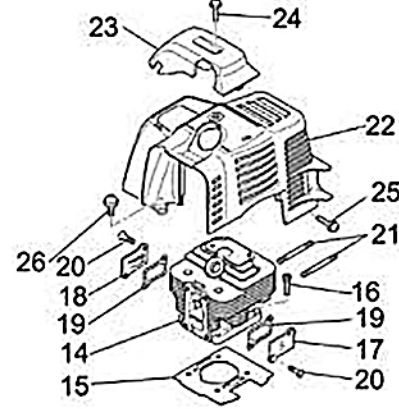


MITSUBISHI TLE48 - 48cc ENGINE REF NO. 770

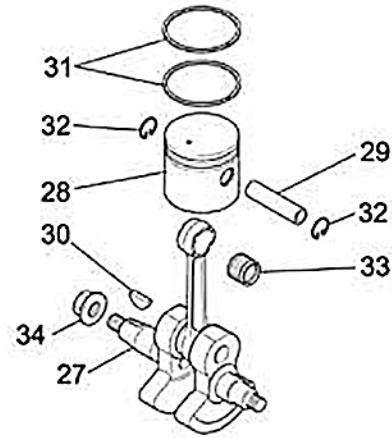
CRANKCASE SYSTEM



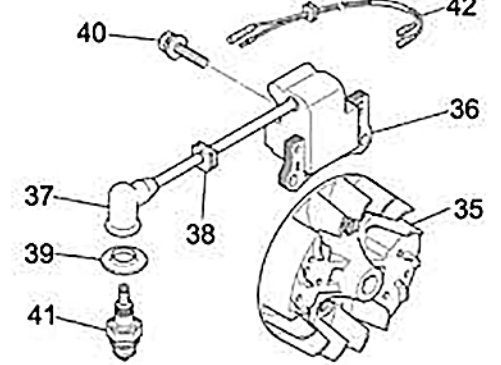
CYLINDER, TOP COVER SYSTEM



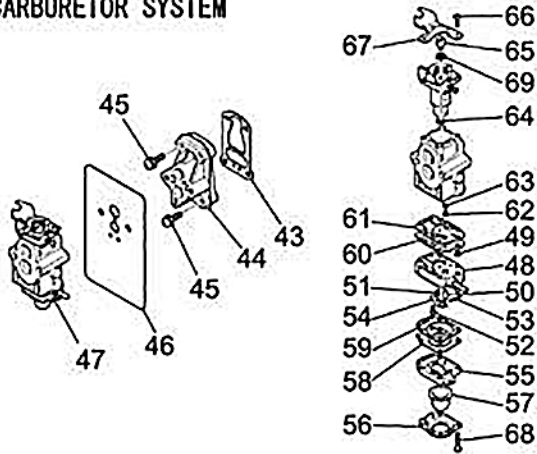
CRANKSHAFT & PISTON SYSTEM



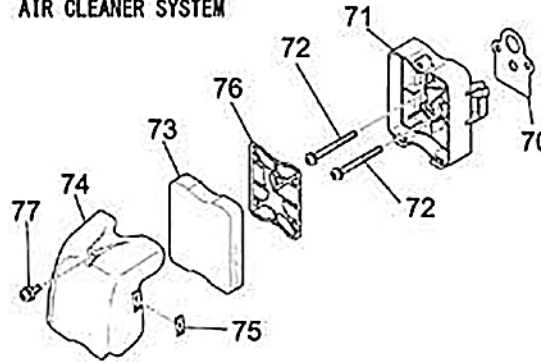
FLYWHEEL MAGNETO SYSTEM



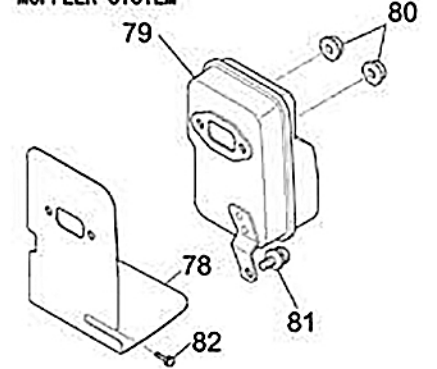
CARBURETOR SYSTEM



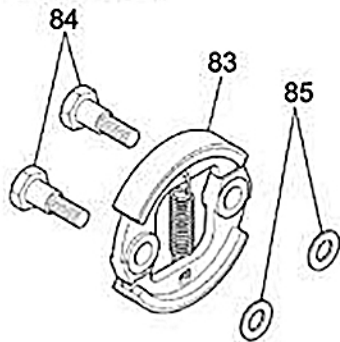
AIR CLEANER SYSTEM



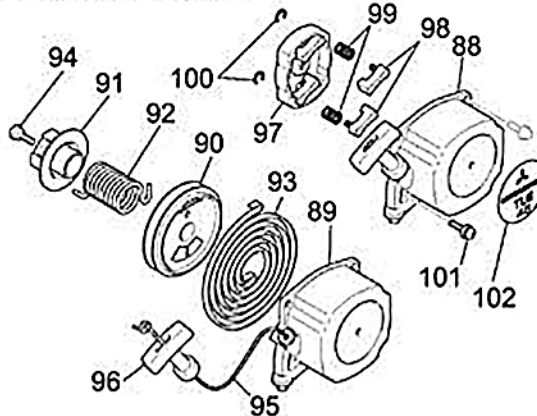
MUFFLER SYSTEM



CLUTCH SYSTEM



RECOIL STARTER SYSTEM



FUEL TANK SYSTEM

