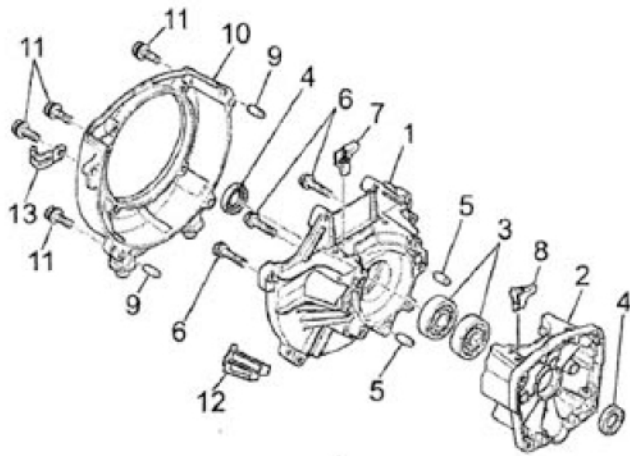
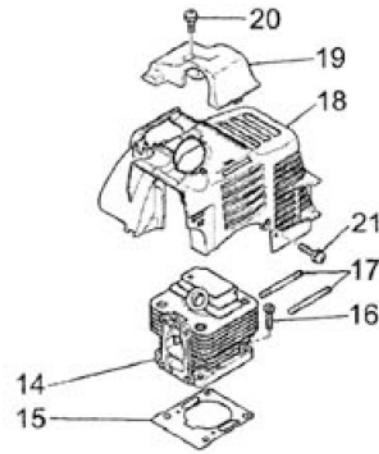


MITSUBISHI TLE33 - 33cc ENGINE MODEL NO. 768

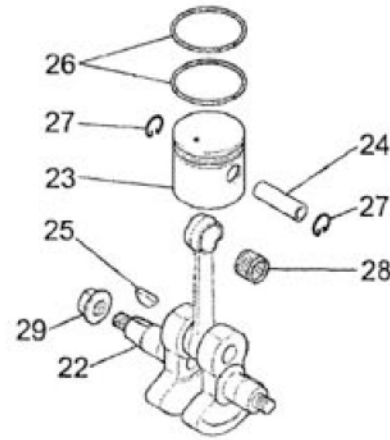
CRANKCASE SYSTEM



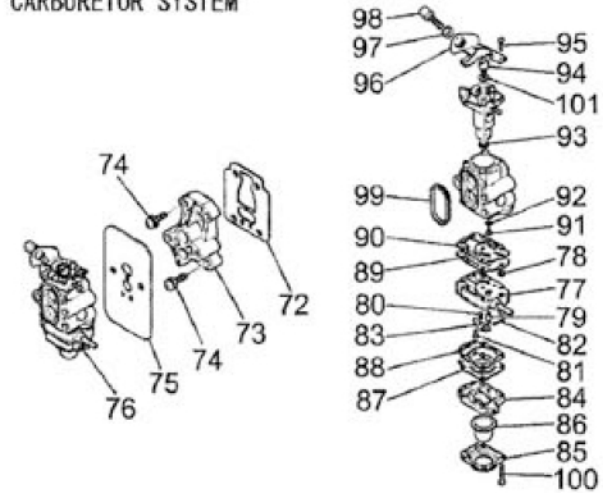
CYLINDER, TOP COVER SYSTEM



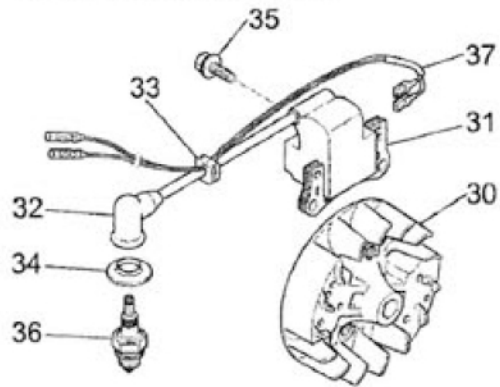
CRANKSHAFT & PISTON SYSTEM



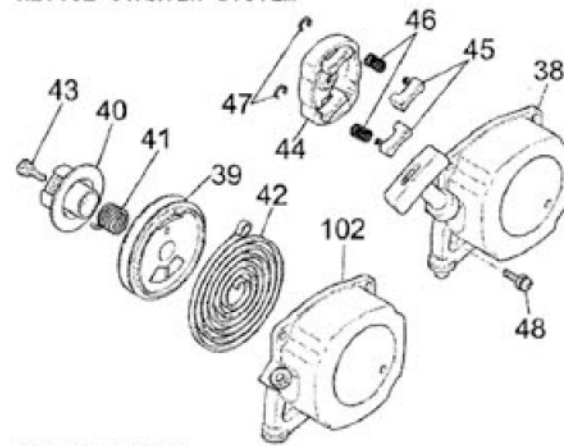
CARBURETOR SYSTEM



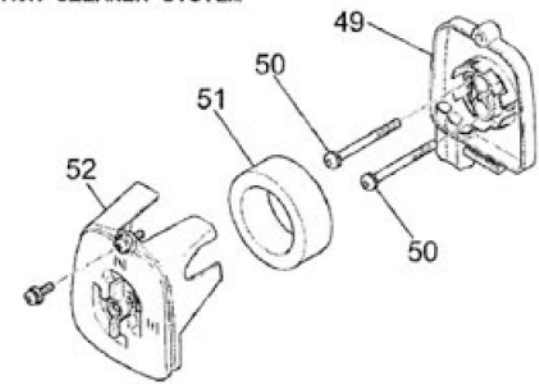
FLYWHEEL MAGNETO SYSTEM



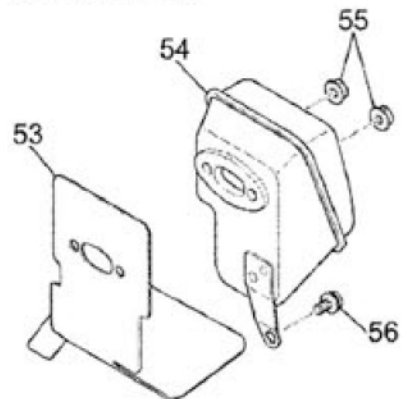
RECOIL STARTER SYSTEM



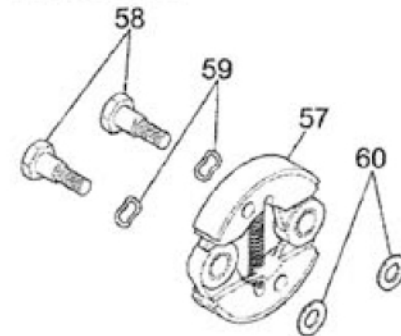
AIR CLEANER SYSTEM



MUFFLER SYSTEM



CLUTCH SYSTEM



FUEL TANK SYSTEM

