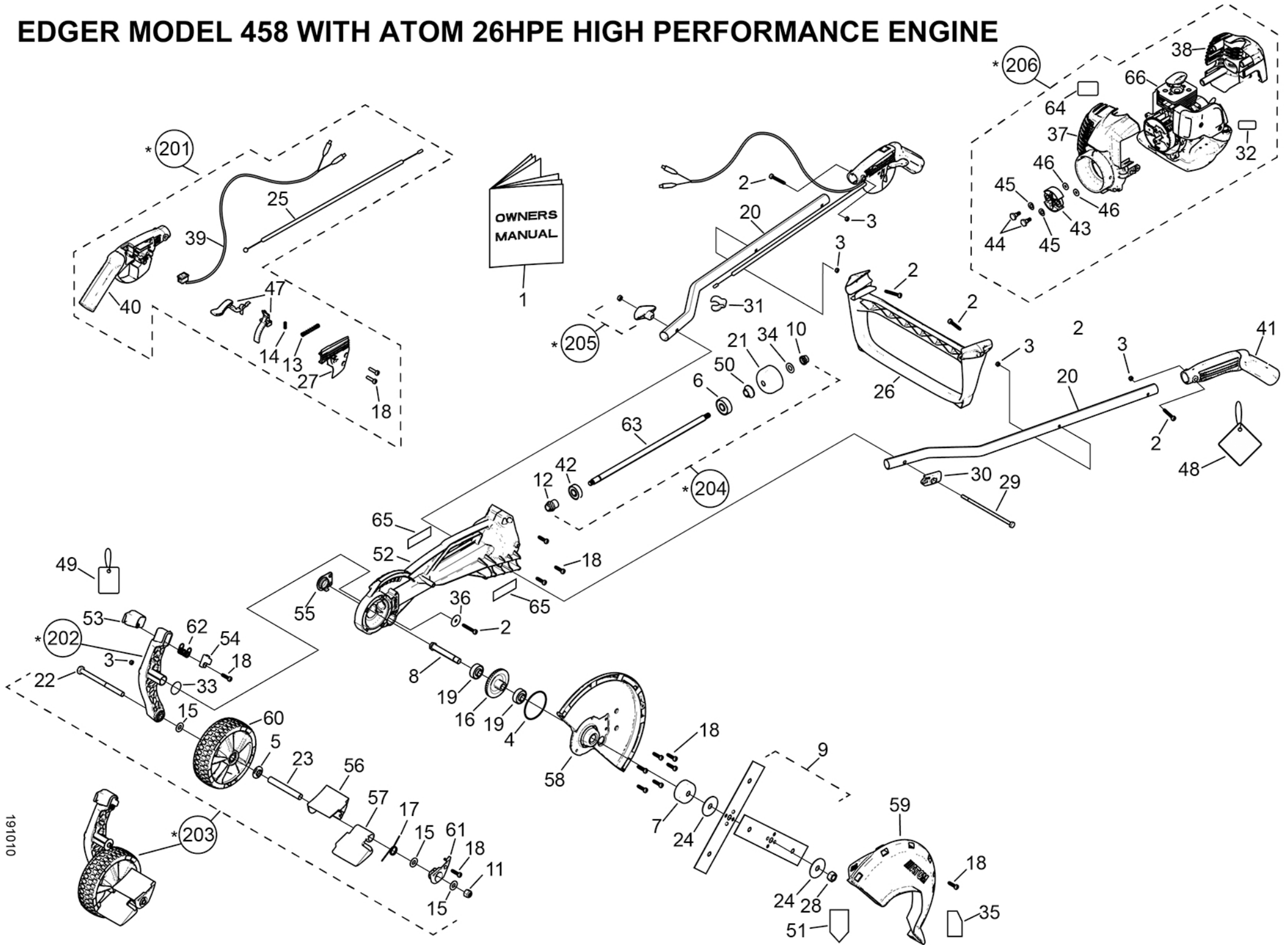


EDGER MODEL 458 WITH ATOM 26HPE HIGH PERFORMANCE ENGINE



191010

ATOM MODEL: 458 DELUXE with Atom 26HPE engine

PART NO: 20458

Key	Part No	Substitute Part No	Description	Key	Part No	Substitute Part No	Description	Key	Part No	Substitute Part No	Description
1	21755		MAN ALL MODELS WEBSITE	31	63217BN		CLIP - HANDLE CABLE & WIRE	62	64993		SPRING HGT ADJ DOM
2	40650		SCREW M5 x 36mm TORX25	32	63219		LABEL HOT MOTOR/OIL CLEAN	63	65115		SHAFT DOM 344
3	40652		NUT NYLOC M5	33	63224	63348	O-RING 18 x 4mm	64	65197		LABEL EDGER 458 26HPE
4	40906	65164	O-RING ID 63x2mm	34	63277		WASHER 12x22.22x2	65	63975		LABEL DELUXE LAWN EDGER
5	42111		SEAL 27.2 x 12.6 WHEEL	36	63327		WASHER 26x1.6x6.6	66	65196		ENG 26HPE w/o COVERS
6	43108		BEARING 6301-2RS 37x12x12	37	63393RN		COWL FRONT 26HPE RED	201	63433AG		ASSY RH HANDLE 450-750
7	43112		DRUM BLADE	38	63394RN		COWL REAR 26HPE RED	202	65135AWN		ASSY ARM WITH NUT
8	43114		SHAFT BLADE EDGER	39	63400		ROCKER SWITCH WITH WIRE	203	65136AWN		ASSY WHEEL+ARM
9	43105		BLADE PRO SET	40	63017BS		HANDLE RH WITH RUBBER	204	65137A		SHAFT ASSY 344
10	43163		NUT FLANGE 3/8 UNC Y ZP	41	63019BS		HANDLE LH WITH RUBBER	205	63488A		ASSY HANDLE KNOB+NUT
11	43172		NUT NYLOC 3/8 UNC w/AXLE ZP	42	63474		BEARING 32x10x12	206	65196A		ENG ATOM 26HPE w/COVERS
12	43176		GEAR PINION 25.5mm	43	63555A		CLUTCH ASSY GX25-26KZ-ATOM				
13	43198		SPRING TRIGGER COMPRESS	44	63553		FC/HPE CLUTCH BOLT M6				
14	43199		SPRING SMALL INTERLOCK	45	63554		FC/HPE CLUTCH WASHER WAVY				
15	43218		WASHER 3/8 ZP 20x1.8x26	46	63556		FC/HPE CLUTCH WASHER FLAT				
16	43245		GEAR CROWN EDGER/BUSH	47	63883S		SET TRIGGER & INTERLOCK				
17	43719		SPRING DEFLECTOR DEBRIS	48	63953		TAG-MADE IN AUSTRALIA				
18	43790		SCREW M5.5mm x 22 TORX25	49	63977		LABEL-TAG ADJ HEIGHT				
19	43860		BEARING 32x10x12+4mm	50	64119		HUB SINTERED 11.5mm				
20	44060		HANDLE TUBE	51	64378		LABEL WARN BLADE COVER				
21	44318		DRUM CLUTCH CUP 54mm	52	64958RN		EDG DOM MAIN BODY RED				
22	44439		BOLT BSW HEX 3/8 x 5	53	64960WN		EDG PRO HGT ADJ HANDLE RED				
23	62934		TUBE WHEEL 94mm	54	64961WN		EDG DOM HGT ADJ PIN RED				
24	62983		WASHER HARD 54x12.2x2	55	64962WN		EDG PRO DUST CAP				
25	63002		CABLE THROTTLE 910+62mm	56	64963WN		EDG PRO DEBRI FLAP CASE RED				
26	63020WE		HANDLE CROSS BRACE	57	64964WN		EDG DEBRI FLAP RED				
27	63021WP		COVER RH HANDLE GREY	58	64965WN		EDG BLADE GUARD INNER				
28	63033		NUT RECESSED RH M12x1.75	59	64966WN		EDG BLADE GUARD OUTER				
29	63049		BOLT HEX 6.5x1/4 BSW	60	64967BP		EDG DOM WHEEL				
30	63187BN		CAPTIVE PLATE 1/4 HEX BOLT	61	64985WN		EDG DOM FLAP CASE COVER GREY				

For information on 26HPE engine, see Ref 773 under 'Petrol Engines parts and Drawings'.