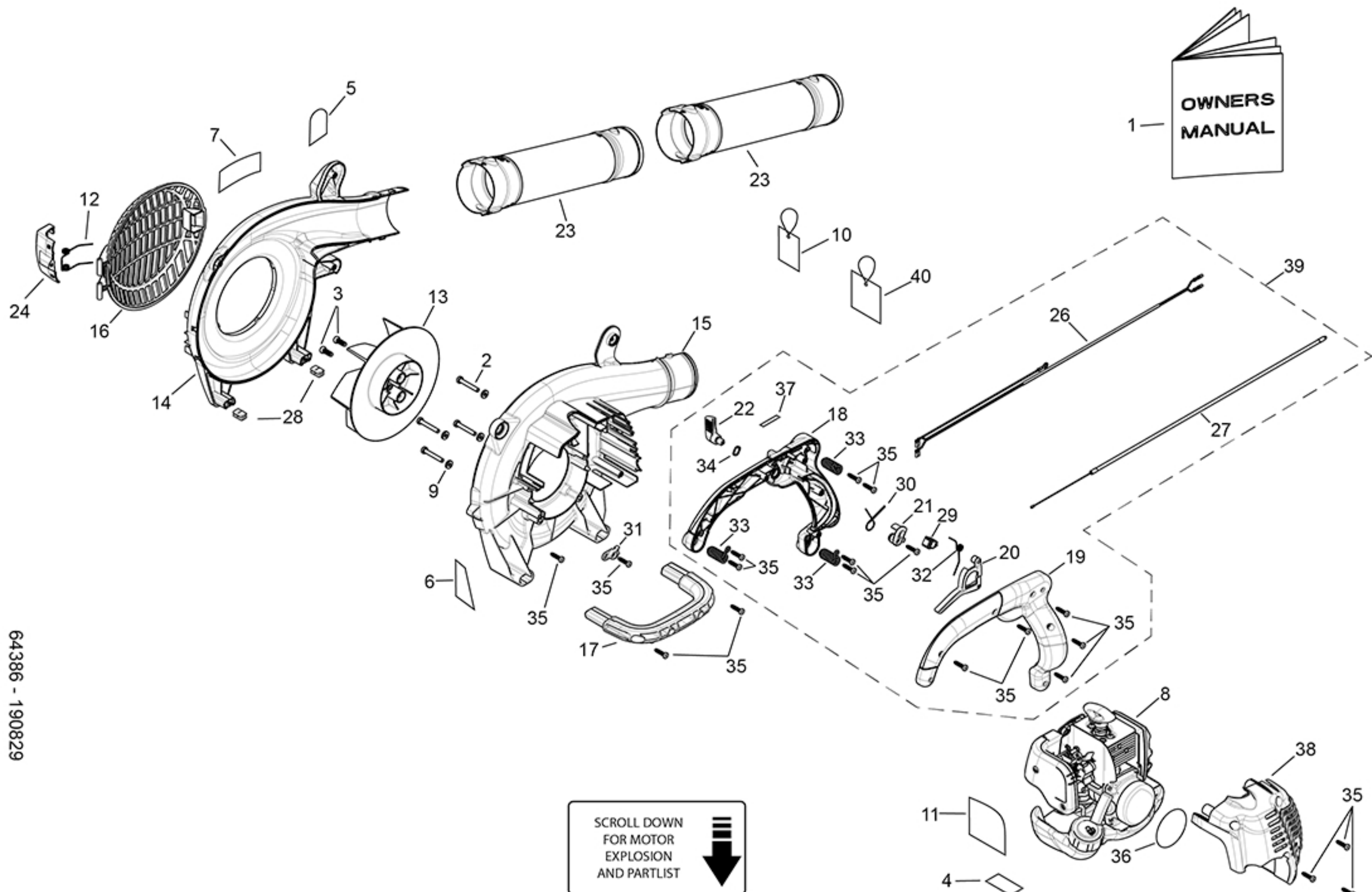


# ATOM AIRLIFT MODEL 838 WITH ATOM 26FC-5 2-STROKE MOTOR



OWNERS  
MANUAL

SCROLL DOWN  
FOR MOTOR  
EXPLOSION  
AND PARTLIST



64386 - 190829

**ATOM MODEL: 838FC5 BLOWER** with Atom 26FC5 engine**PART NO: 20838FC5**

Key	Part No	Substitute Part No	Description	Key	Part No	Substitute Part No	Description
1	21775		MANUAL ALL MODELS	26	64159		BL SWITCH WIRE
2	40650		SCREW M5x36 TORX25	27	64160		BL THROTTLE CABLE
3	40651		SCREW M6x16 TORX25	28	64161		BL RUBBER FOOT
4	63219		LABEL HOT MOTOR/OIL CLEAN	29	64162		PUSH BUTTON SWITCH
5	63319		LABEL BL ANTI VIBRATION	30	64165		BL SPRING RET CAM
6	63322		LABEL WARN SYMBOLS	31	64166WN		BL CABLE RETAINER GREY
7	65156		LABEL BL- 838 DELUXE	32	64973		BL SPRING THRO TRIG
8	65195		ASSY ENG 26FC5 w/o COVERS	33	64172		BL AV SPRING
9	63457		WASHER 6.4x12.5x1.5	34	64193		BL WASHER WAVY 14.5x10x0.3
10	63953		TAG-MADE IN AUSTRALIA	35	64194		SCREW M4.5x19.5 TORX20
11	63979		LABEL - BL STARTING ATOM	37	64354		LABEL BL STOP/CRUISE
12	64133		BL SPRING COVER	38	63394CN		COWL REAR 26FC4/5 BLUE
13	64135SN		BL IMPELLER ATOM	39	64932AW		ASSY BL HANDLE GREY TRIG
14	64136WN		BL EXT MAIN CASING GREY				
15	64138WN		BL INT CASING ATOM GREY				
16	64139WN		BL AIR INTAKE COVER GREY				
17	64140WE		BL STAND HANDLE				
18	64146BS		BL HANDLE LH				
19	64147BS		BL HANDLE RH				
20	64150WN		BL THROTTLE TRIG GREY				
21	64151WN		BL CRUISE CONTR CAM GREY				
22	64152WN		BL CRUISE CONTR LEVER GREY				
23	64154WPE		BL NOZZLE MAIN				
24	64157WN		BL HINGE CLAMP GREY				

For information about the Atom 26FC5 engine go to Ref 772 at 'Petrol engines, parts and drawings'.