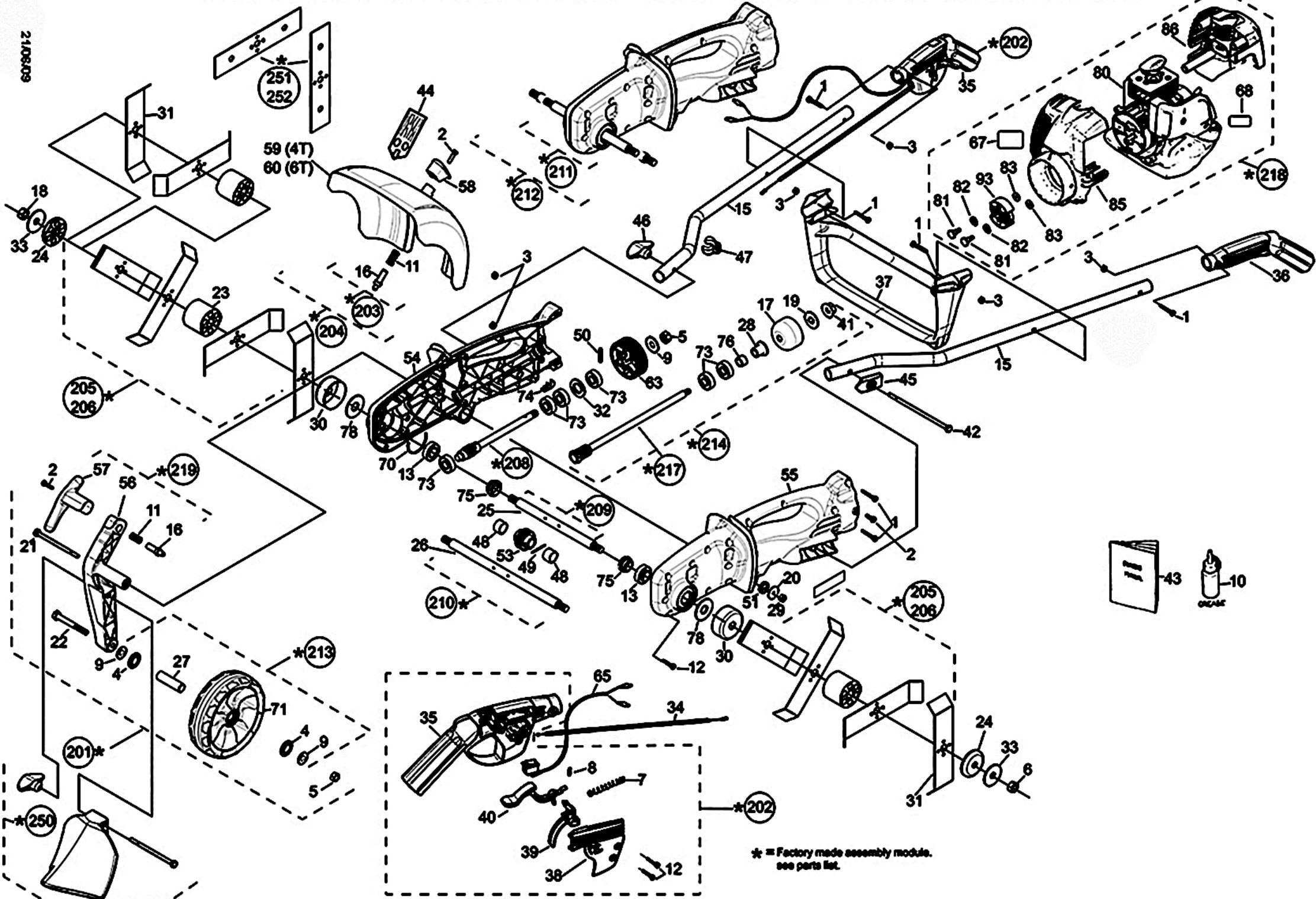


758 TILLER WITH ATOM 26HPE 2-STROKE COMMERCIAL ENGINE

2108609



* = Factory made assembly module.
see parts list.

ATOM MODEL: 758 TILLER with 26HPE engine

PART NO: 21758

Key	Part No	Substitute Part No	Description	Key	Part No	Substitute Part No	NLA	Description	Key	Part No	Substitute Part No	Description
1	40650		SCREW M5x36 TORX25	39	63883S			SET TRIGGER & INTERLOCK	81	63553		FC/HPE CLUTCH BOLT M6
2	40651		SCREW M6x16 TORX25	40	63883S			SET TRIGGER & INTERLOCK	82	63554		FC/HPE CLUTCH WASH WAVY
3	40652		NUT NYLOC M5	41	43163			NUT FLANGE 3/8 UNC	83	63556		FC/HPE WASH CLUTCH FLAT
4	42111		SEAL 27.2x12.6 WHEEL	42	63049			BOLT HEX 6.5 x 1/4 BSW	84	63553		CLUTCH BOLT M6
5	43172		NUT NYLOC 3/8 UNC w/AXLE	43	21775			MANUAL ALL MODELS	85	63393RN		COWL FRONT 26HPE RED
6	43173		NUT M12x1.75 RH	44	63065			LABEL WARN TILLER GUARD	86	63394RN		COWL REAR 26HPE RED
7	43198		SPRING TRIGGER COMPRESS	45	63187BN			CAPTIVE PLATE 1/4 HEX BOLDY	87	63355		GROUND WIRE
8	43199		SPRING SMALL INTERLOCK	46	63488A			ASSY HANDLE KNOB+NUT	88	43181		SCREW M5x12
9	43218		WASHER 3/8 20x1.8x26	47	63217BN			CLIP - HANDLE CABLE & WIRE	89	62968		PRO CARBY CABLE CONN M6x1.0
10	43227		GREASE & DISPENSER	48	63261			SPACER TILLER GEAR STEEL	90	63457		WASHER 6.4x12.5x1.5
11	43452		SPRING HT ADJ ARM COMPR	49	63269			PIN ROLL 6 x 30 TL	91	63169		NUT M6 x 1
12	43790		SCREW M5.5x22 TORX25	50	63275			PIN ROLL 5 x 30 DR/TL	93	63555A		CLUTCH ASSY GX25-26KZ-ATOM
13	43868		BEARING 6003-2RS 4.5x17ID	51	63348			O-RING 18 X 4mm	201	63871A		ASSY ARM+WHEEL TILLER
14	44006		NUT ¼ UNC 10.9mm	53	63368	65312A		TILL MACH WORM GEAR	202	63433AR		ASSY RH HDL HONDA 441-481-561
15	44060		HANDLE TUBE	54	63912WN			SET LH+RH TILLER GREY	203	63872AWE		ASSY COVER TINE 250
16	62723		PIN ADJ M6x1.0mm THREAD	55	63912WN			SET LH+RH TILLER GREY	204	63873AWE		ASSY COVER TINE 350
17	44318		DRUM CLUTCH CUP 54mm	56	63376WP			WHEEL ARM TILLER	205	63208S8		TINE 4 TINE SET (8 piece)
18	45112		NUT M12x1.75 LH	57	63377WP			HEIGHT ADJ HANDLE ARM	206	63209S12		TINE 6 TINE SET (12 piece)
19	63277		WASH CL DRUM 12x27x2mm	58	63378WP			KNOB COVER TILLER	208	63411A	65312A	TILL MACHINE WORM GEAR
20	62795		WASHER 28.5x1.6x1/4 HOLE	59	63380WE			COVER TINE 250(U-GAP87)	209	63874A		ASSY GEARWORM CRN250 SHAFT
21	62843		BOLT HEX 3.5x1/4 BSW	60	63381WE			COVER TINE 350(U-GAP87)	210	63875A		ASSY GEARWORM CRN350 SHAFT
22	62844		BOLT HEX 3x3/8 BSW	61	63384		X	SEAL GEAR TILLER	211	63876WVK		ASSY TILL GREY 250 ST1
23	62851WP		SPACER TINE LGE 45.5mm	62	63781	63978A		TILL ASSY SHAFT GEAR	212	63877WVK		ASSY TILL GREY 350 ST1
24	62852WP		SPACER TINE SML 10mm	63	63780	63978A		TILL ASSY SHAFT GEAR	213	63880A		ASSY TILL WHEEL-TUBE-SEALS
25	62891		SHAFT TINE 250mm	64	63387	63978A		TILL ASSY SHAFT GEAR	214	63881A		ASSY TILL SHAFT-GEAR-DRUM
26	62892		SHAFT TINE 350mm	65	63400			ROCKER SWITCH w/WIRE	217	63978A		TILL ASSY SHAFT GEAR
27	62903		SPACER WHEEL 41.5mm	66	63411A	65312A		TILL MACH WORM GEAR	218	65195A		ENG ATOM 26FC5 w/COVERS
28	64119		HUB SINTERED 11.5mm	67	65198			LABEL TILL 758 MODEL	250	63222		FURROW ATTACHMENT KIT
29	62919		NUT NYLOC ¼ UNC	69	63410			SHAFT T PINION WORM	251	63204S8		SET DETHATCH&AERATE BLADE
30	62921		DRUM TINE 17mm	70	63439		X	SEAL U GEAR BOX TILLER	252	63205S12		SET DETHATCH&AERATE BLADE
31	62948		TINE TILLER	71	64967BP			EDGER DOM WHEEL				
32	62982		BEAR WASH 31.8x18.5x1.6	73	63474			BEARING 32 x 10 x 12				
33	62983		WASHER BLADES 54x12.2x2	74	63533WE			HOOK EDGER CABLE BODY				
34	63002		CABLE THROTTLE 910+62	75	63771		X	SPACER GREASE SAVER TILLER				
35	63017BS		HANDLE RH WITH RUBBER	76	63772			SPACER MAIN SHAFT TILLER				
36	63019BS		HANDLE LH WITH RUBBER	77	63867			NUT 3/8 HOLDING				
37	63020WE		HANDLE CROSS BRACE	79	63555A			CLUTCH ASSY GX25-26KZ-ATOM				
38	63021WP		COVER RH HANDLE	80	65196			ENG ATOM 26HPE w/o COVERS				

For information on the Atom 26HPE engine go to Ref 773 at 'Petrol Engines, Parts and Drawings'.