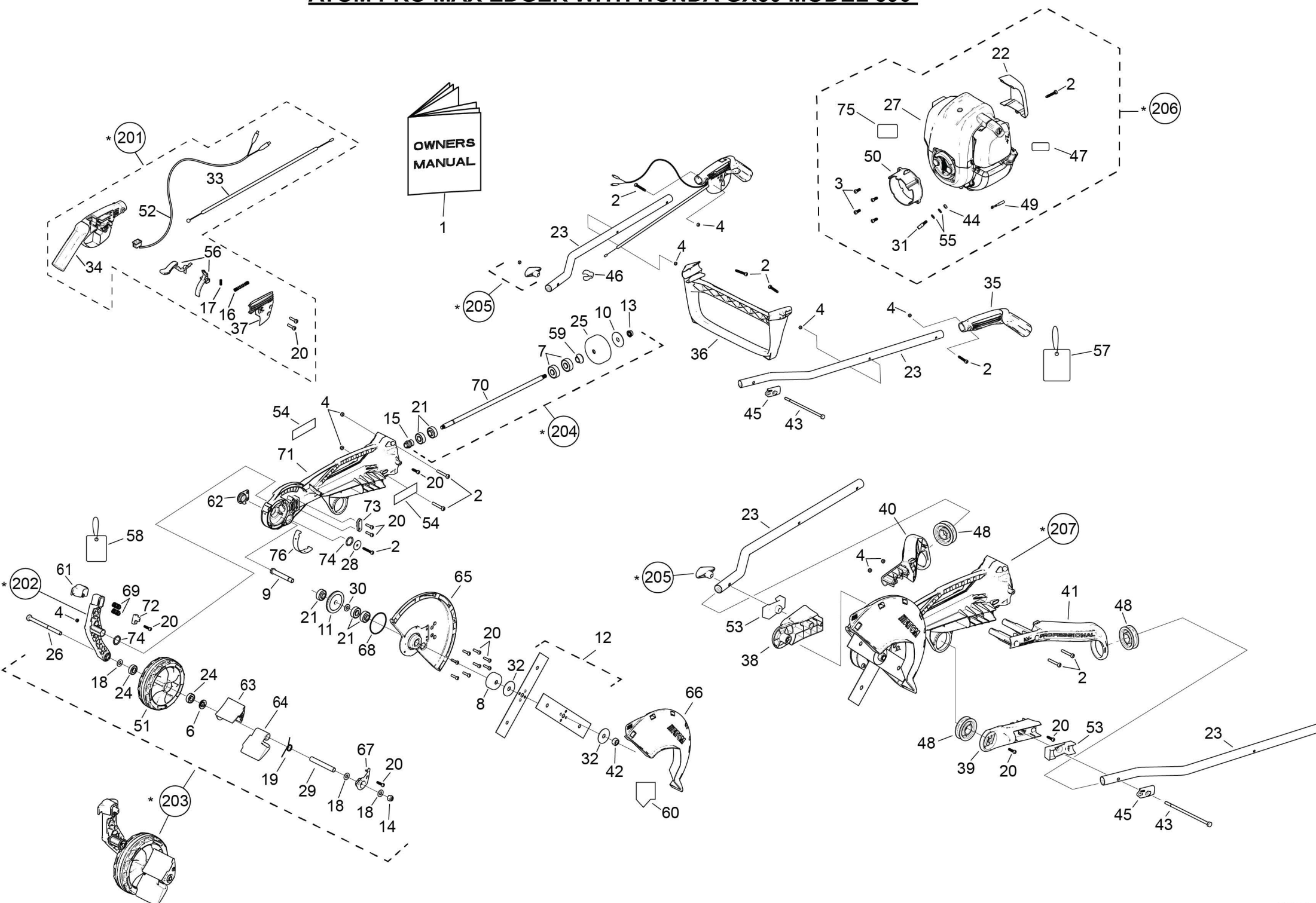


ATOM PRO MAX EDGER WITH HONDA GX50 MODEL 590



1/06/2023

ATOM MODEL: 590 EDGER GX50 Honda engine

PART NO: 20960

Key	Part No	Substitute Part No	NLA	Description	Order Part	Key	Part No	Substitute Part No	NLA	Description	Order Part	Key	Part No	Substitute Part No	NLA	Description	Order Part
1	72001			MAN ALL MODELS WEB SITE		31	62968			CABLE CONNECTOR M6 x 1.0		61	64960RN			EDGER PRO HGT ADJ HANDLE RED	
2	40650			SCREW M5 x 36mm TORX		32	62983			WASHER HARD 54x12.2x2		62	64962RN			EDGER PRO DUST CAP RED	
3	40651			SCREW M6 x 16 TORX		33	63002			CABLE THROTTLE 968mm		63	64963RN			EDGER PRO DEBRI FLAP CASE RED	
4	40652			NUT NYLOC 5mm		34	63017BS			HANDLE RH WITH RUBBER		64	64964RN			EDGER RED DEBRI FLAP RED	
5	40836			WASHER SPACER 2.1mm		35	63019BS			HANDLE LH WITH RUBBER		65	64965WN			EDGER BLADE GUARD INNER	
6	42111			SEAL 27.2 x 12.6 WHEEL		36	63020WE			HANDLE CROSS BRACE		66	64966WN			EDGER BLADE GUARD OUTER	
7	43108			BEARING 6301-2RS 37x12x12		37	63021WP			COVER RH HANDLE GREY		67	64985RN			EDGER PRO FLAP CASE COVER RED	
8	43112			DRUM BLADE		38	63028RN			AV MOUNT PRO LH		68	65164			O-RING ID 63 x 2.0mm	
9	65351A			SHAFT BLADE DRIVE MK3		39	63029RN			AV MOUNT PRO RH		69	65177			SPRING HEIGHT ADJ DOM/PRO V2	
10	43116			PRO DRUM WASHER 45x12.2x2		40	63030RP			AV SUPPORT PRO LH HANDLE		70	65275			SHAFT EDGER PRO MK2	
11	43122			GEAR CROWN PRO		41	63031RP			AV SUPPORT PRO RH HANDLE		71	65279RN			EDGER PRO MAIN BODY MK2	
12	43105			BLADE PRO 10.7 x 1.9mm		42	63033			NUT RECESSED RH M12 x 1.75		72	65280AWN			EDGER PRO HGT ADJ PIN	
13	43163			NUT FLANGE 3/8 UNC		43	63049			BOLT HEX 6.5 x 1/4 BSW		73	65281WN			EDGER PRO BEARING LOCATOR	
14	43172			NUT NYLOC 3/8 UNC		44	63169			NUT M6 x 1		74	65282			O-RING 22 x 3mm	
15	43176			GEAR PINION 25.5mm LENGTH		45	63187BN			CAPTIVE PLATE 1/4 HEX PIECE		75	65360			LABEL EDG MODEL 590 PRO MAX	
16	43198			SPRING TRIGGER COMPRESS		46	63217BN			CLIP - HANDLE CABLE & WIRE		76	65294			SKID PLATE EDGER PRO MK2	
17	43199			SPRING,SMALL		47	63219			LABEL HOT MOTOR/OIL CLEAN							
18	43218			WASHER 3/8 FLAT		48	63220BS			AV RUBBER ROUND		MODULES					
19	43719			SPRING DEFLECTOR DEBRIS		49	63355			GROUND WIRE		201	63433AH			ASSY RH HDL GX50	
20	43790			SCREW M5.5 x 22mm		50	63361RN			MOUNT ENGINE PRO		202	65135ARN			ASSY ARM WITH NUT	
21	43860			BEARING 32 x 10 x 12 + 4mm		51	63363BS			WHEEL WITH RUBBER PRO		203	65136ARN			ASSY WHEEL + ARM	
22	65357RN			GX50 AIR DEFLECTOR		52	63400			ROCKER SWITCH WITH WIRE		204	65302A			ASSY SHAFT PRO MK2	
23	44060			HANDLE TUBE		53	63401BS			AV SADDLE RUBBER		205	633488A			ASS KNOB HANDLE	
24	44305			BEARING WH 28x8x12.8mm		54	63408			Label Atom Prof Edger		206	65310A			ASSY HONDA ENGINE GX50	
25	44312			DRUM CUP PRO 79 x 32mm		55	63457			WASHER 6.4x12.5x1.5 ZP		207	65305ARN			ASSY PRO RED V2 STAGE 2	
26	44439			BOLT BSW HEX 3/8 x 5		56	63883S			TRIGGER SET							
27	65310-NT			ENG HONDA GX50 - NT		57	63953			TAG-MADE IN AUSTRALIA							
28	62795			WASHER 28.5 x 1.6 x 1/4 HOLE		58	63977			LABEL-TAG ADJ HEIGHT							
29	62934			TUBE WHEEL 94mm		59	64119			HUB SINTERED							
30	62965			WASHER THRUST 12 x 26 x 1.5		60	64378			LABEL WARN BLADE COVER							