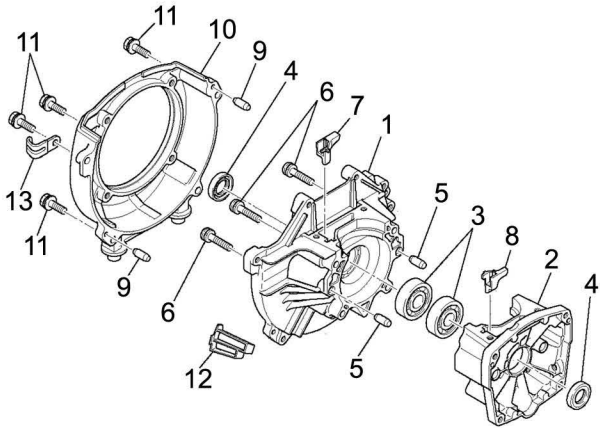
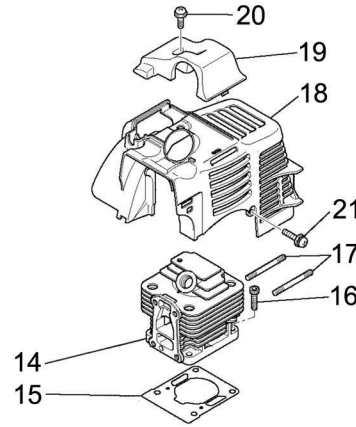


# MITSUBISHI TLE33 - 33cc ENGINE REF NO. 768

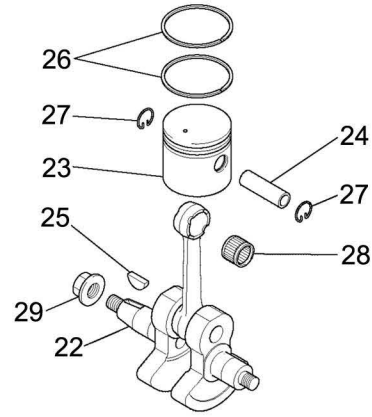
## CRANKCASE SYSTEM



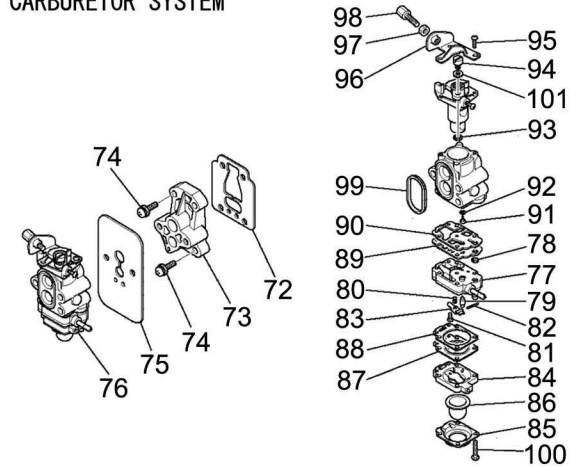
## CYLINDER, TOP COVER SYSTEM



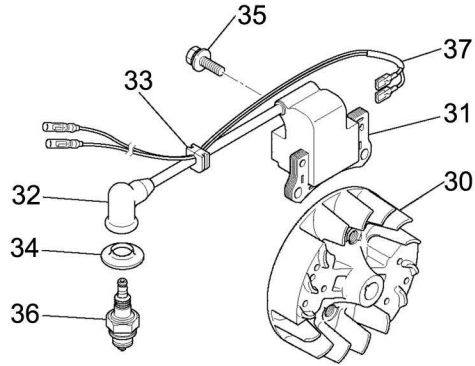
## CRANKSHAFT & PISTON SYSTEM



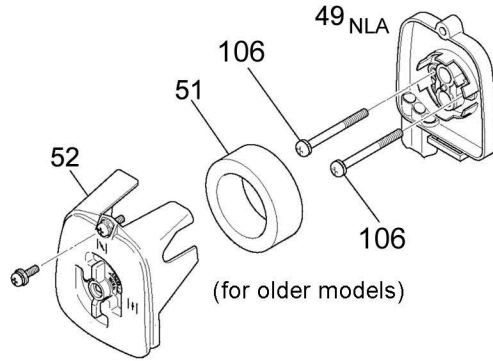
## CARBURETOR SYSTEM



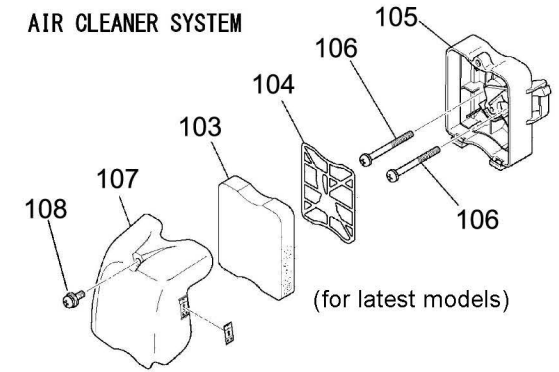
## FLYWHEEL MAGNETO SYSTEM



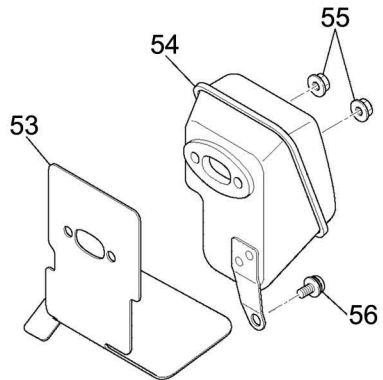
## AIR CLEANER SYSTEM



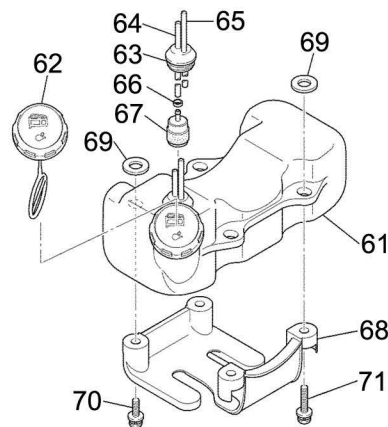
## AIR CLEANER SYSTEM



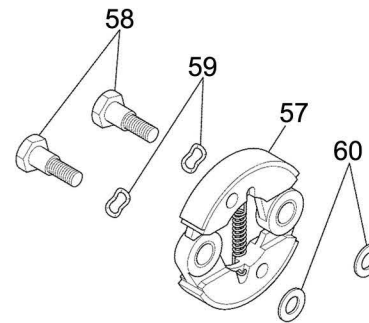
## MUFFLER SYSTEM



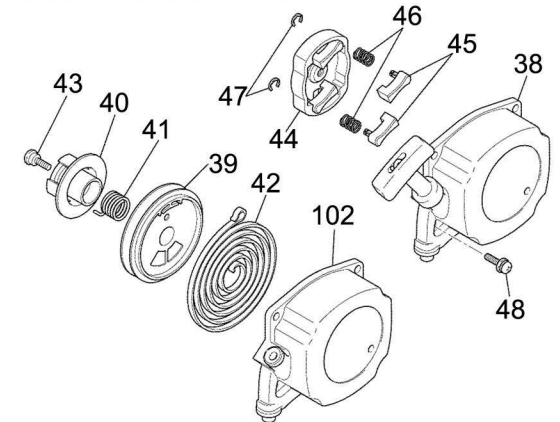
## FUEL TANK SYSTEM



## CLUTCH SYSTEM



## RECOIL STARTER SYSTEM



4/03/2025

## ATOM PRODUCT: MITSUBISHI TLE33 Engine 33cc

REF NO: 768

Key	Part No	Substitute Part No	NLA	Description	Order Part	Key	Part No	Substitute Part No	NLA	Description	Order Part	Key	Part No	Substitute Part No	NLA	Description	Order Part
1	63992			C/CASE FRONT w/62993		37	64032			TLE33 WIRE LEAD		73	64034			TLE33 INSULATOR	
2	63993			C/CASE REAR w/62992		38	64078			TLE33 ASSY RECOIL START		74	64035			TLE33/48 SCREWWSR M5x25	
3	63994	63474		BEARING 32x10x12		39	64080			TLE33/48 ROPE PULLEY		75	64036			TLE33 GASKET CARB	
4	63995	63575		SEAL 22x12 START END		40	64081			TLE33/48 CAM		76	64037			TLE33 CARBY COMP	
5	63996			TLE33/48 PIN DOWEL		41	64082			TLE33 SPRING		77	64038			TLE33/48 BODY PUMP	
6	63997		X	SCREW & WASHER		42	64083			TLE33/48 SPRING START		78	64039	46670		SCREEN	
7	63998			TLE33 GUIDE		43	64084			TLE33/48 SCREW		79	64040			TLE33/48 VALVE NEEDLE	
8	63999		X	GUIDE		44	64087			PULLEY ST (INCL 45&46)		80	64041	46672		SPRING	
9	64000			TLE33/48 PIN DOWEL		45	64088			TLE33/48 RATCHET		81	64042	46673		SCREW	
10	64001			TLE33 CASE FAN		46	64089			TLE33/48 SPRING RET		82	64043	46674		PIN	
11	64002			TLE33/48 BOLT & WSR		47	64090			TLE33/48 SPRING CIRCLIP		83	64044	46675		LEVER	
12	64003			TLE33 COVER		48	64016			TLE33/48 SCREW&WSR		84	64045	46676		BODY-PURGE	
13	64004		X	TLE33 CLAMP		49	64063		X	CASE CLEANER		85	64046	46677		COVER-PUMP	
14	64005			TLE33 CYLINDER		50	64064			SCREW&WSR 47m		86	64047	46678		PRIMING BULB	
15	64006			TLE33 GASKET CYLINDER		51	64065			TLE33 AIRFILTER ELEMENT		87	64048			TLE33/48 DIAPHRAM CONTROL	
16	64007			TLE33/48 BOLT		52	64066			TLE33 COVER CLEANER		88	64049			TLE33/48 GASKET	
17	64012			TLE33/48 BOLT STUD		53	64068			TLE33 GASKET MUFFLER		89	64050			TLE33/48 DIAPHRAM	
18	64013			TLE33 COVER TOP		54	64069			TLE33 MUFFLER		90	64051			TLE33/48 GASKET	
19	64014			TLE33 GUARD PLUG		55	64070			TLE33 NUT FLANGE		91	64052			JET	
20	64015			TLE33/48 SCREW & WSR		56	64071			TLE33/48 SCREW		92	64053			O-RING	
21	64016			TLE33/48 SCREW & WSR		57	64072			TLE33 CLUTCH ASSY (8.9)		93	64054	46685		RING	
22	64017			TLE33 ASSY CRANKSHAFT		58	64075			TLE33/48 BOLT x 26.5		94	64055			TLE33/48 HOLD WIRE	
23	64018			TLE33 PISTON		59	64076			TLE33/48 WASH FLAT 8mm		95	64056	46688		SCREW	
24	64019			TLE33 PIN PISTON		60	64077			TLE33/48 WASH WAVY 10mm		96	64057	46689		BRACKET	
25	64020			TLE33/48 KEY		61	64093			TLE33 FUEL TANK ASSY		97	64058	63169		NUT M6x1	
26	64021			TLE33 RING PISTON		62	64094			TLE33/48 ASSY TANK CAP		98	62968			PRO CARBY CABLE CONN M6x1.0	
27	64022			TLE33 CLIP PISTON PIN		63	64100			TLE33/48 PLUG GROMMET		99	64060			TLE33 PACKING RING	
28	64023			TLE33 BEAR NEEDLE		64	64101			TLE33/48 TUBE FUEL 220mm		100	64061	46693		SCREW	
29	64024			TLE33/48 NUT FAN SPG		65	64102			TLE33/48 TUBE FUEL 75mm		101	64062			TLE33/48 WASHER	
30	64025			TLE33 ROTOR		66	63615			CLIP-HOSE-STEEL		103	64988			TLE33/48 ELEMENT CLEANER	
31	64026			TLE33 COIL IGNITION w/CAP		67	63614			FUEL FILTER		104	64991			TLE33/48 GRID MITS	
32	64027			TLE33/48 CAP PLUG		68	64105			TLE33 STAND ENGINE		105	64986			TLE33 CLEANER CASE ASSY	
33	64028			TLE33/48 GROMMET		69	64106			TLE33/48 PAD WSR TANK		106	64987	64064		SCREW & WASH 47m L	
34	64029			TLE33/48 CAP PLUG		70	64107			TLE33/48 SCREWWSR FRONT		107	64989			TLE33/48 CLEANER COV ASSY	
35	64030			TLE33/48 BOLT & WASHER		71	64108			TLE33/48 SCREWWSR REAR		108	64067			TLE33/48 SCREW & WSR	
36	64031			TLE33/48 SPK PL BPMR8YNGK		72	64033			TLE33 GASKET INS							